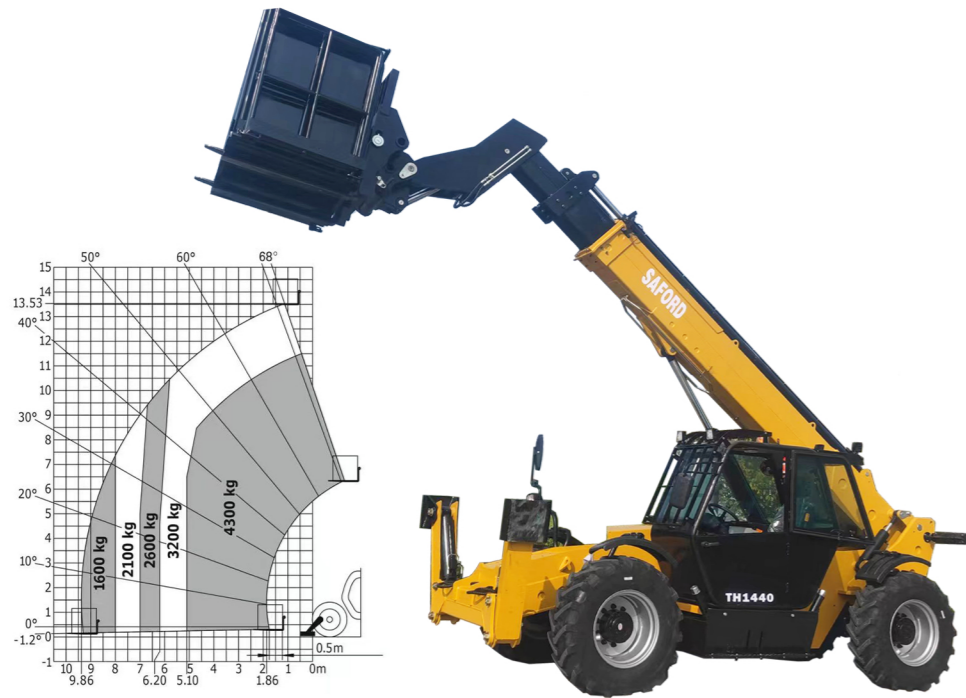
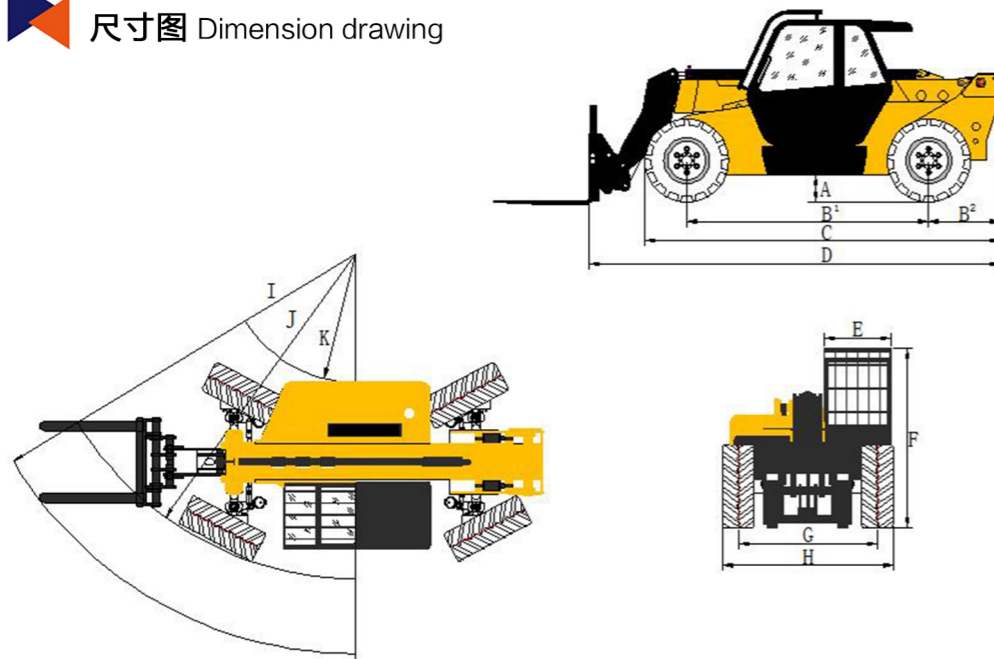


## TH1440 Telescopic handler forklift truck



尺寸图 Dimension drawing



## 产品参数 PRODUCT PARAMETER

<b>Model</b>	<b>TH1440</b>
<b>Manufacturer</b>	<b>SAFORD – China</b>
<b>Engine:</b>	
Model	Cummins 4BT3.9-C125
Roted power	92kw
Type	Four stroke, diesel engine
Displacement	3910L
<b>Performance:</b>	
Max. lifting capacity	4500kg
Max. lifting capacity at max. reach	3200kg
Capacity at max. boom extension	1500kg
Max. lifting height	14000mm
Max. horizontal boom extension	9450mm
Gradeability	30%
Machine weight	11500mm
Max. speed	40km/h
<b>Differential-Axles</b>	
Driving model	4WS, Crab steering, 2WS
Front axle	Rigid
Rear axle	Oscillating
Moving brake	Servise air brake(disc) on the 4 wheels with double hydraulic system
Parking brake	Negative parking brake
Tires	405/70-24
<b>Dimintions</b>	
Lenght (without fork) D	6100mm
Height F	2480mm
Width H	2300mm
Shaft distance B1	3150mm
Tire distance G	1900mm
Cabin width E	910mm
Ground clearance A	370mm
Front tires to Rear chassis C	4600mm
Standard fork length	
<b>Option</b>	
Overloading warning&Limitation	
Titable chassis(+6)	
Sideshift	
Fork positioner	
Raisable cabin	
Big bucket for bulk cargo	
Normal bucket for construction	
Working platform(Fordable working platform,swing working platform etc...)	
attachments(Hook,grapple,auger Mixing bucket,tilted fork,4in1 bucket,winch,baler,manipulator	

## 4轮转向 4 wheel steering diagram

