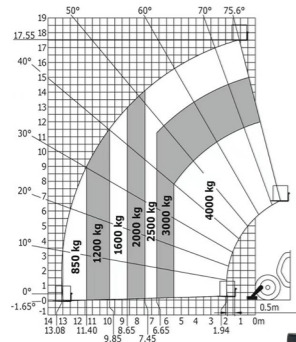
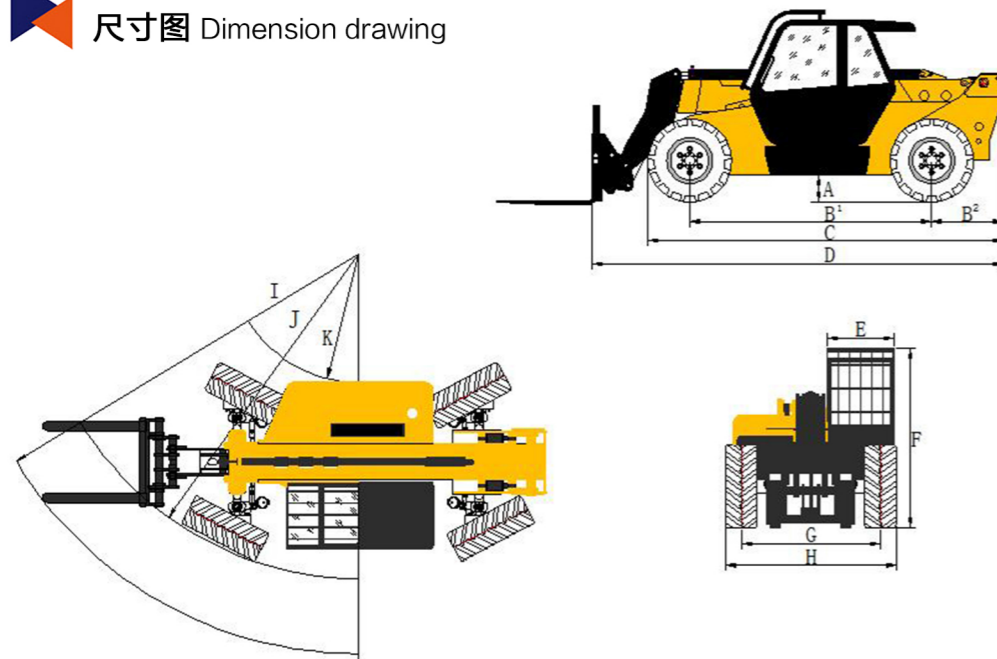


TH1840 Telescopic handler forklift truck



尺寸图 Dimension drawing



产品参数 PRODUCT PARAMETER

| | |
|--|--|
| Model | TH1840 |
| Manufacturer | SAFORD - China |
| Engine: | |
| Model | Cummins 4BT3.9-C125 |
| Rated power | 92kw |
| Type | Four stroke, diesel engine |
| Displacement | 3910L |
| Performance: | |
| Max. lifting capacity | 4000kg |
| Max. lifting capacity at max. reach | 2500kg |
| Capacity at max. boom extension | 850kg |
| Max. lifting height | 17550mm |
| Max. horizontal boom extension | 1300mm |
| Gradeability | 30% |
| Machine weight | 12500mm |
| Max. speed | 40km/h |
| Differential-Axles | |
| Driving model | 4WS, Crab steering, 2WS |
| Front axle | Rigid |
| Rear axle | Oscillating |
| Moving brake | Servise air brake(disc) on the 4 wheels with double hydraulic system |
| Parking brake | Negative parking brake |
| Tires | 405/70-24 |
| Dimintions | |
| Lenght (without fork) D | 6100mm |
| Height F | 2480mm |
| Width H | 2300mm |
| Shaft distance B1 | 3150mm |
| Tire distance G | 1900mm |
| Cabin width E | 910mm |
| Ground clearance A | 370mm |
| Front tires to Rear chassis C | 4600mm |
| Standard fork length | |
| Option | |
| Overloading warning&Limitation | |
| Titable chassis(+6) | |
| Sideshift | |
| Fork positioner | |
| Raisable cabin | |
| Big bucket for bulk cargo | |
| Normal bucket for construction | |
| Working platform(Fordable working platform,swing working platform etc...) | |
| attachments(Hook,grapple,auger Mixing bucket,tilted fork,4in1 bucket,winch,baler,manipulator | |

4轮转向 4 wheel steering diagram

