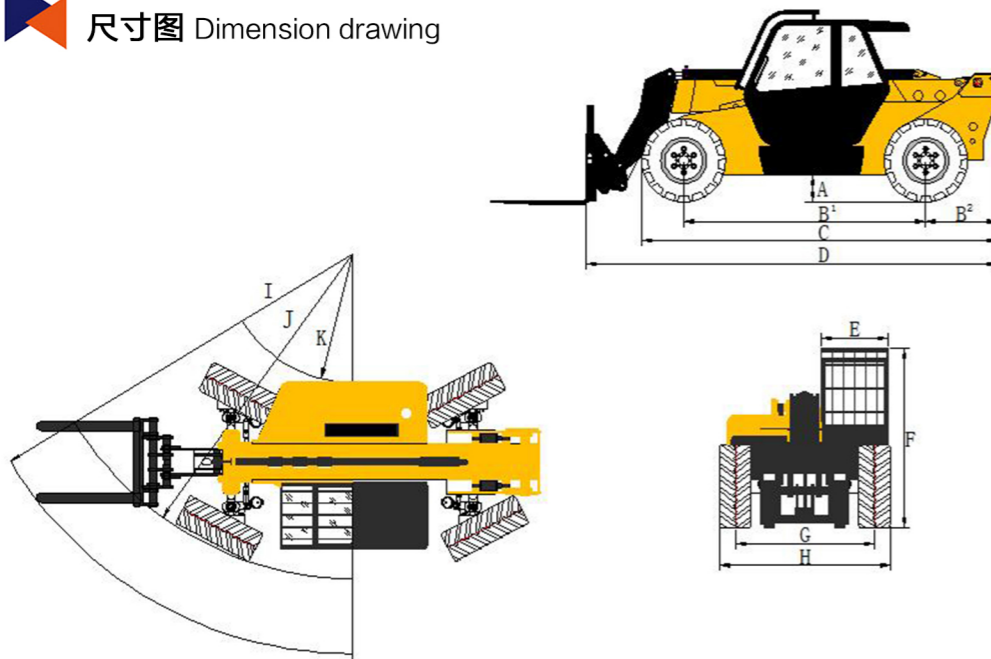


TH735 Telescopic handler forklift truck



尺寸图 Dimension drawing



产品参数 PRODUCT PARAMETER

Model	TH735
Manufacturer	SAFORD - China
Engine:	
Model	yunnei4102
Rated power	76.7kw
Type	Four stroke, diesel engine
Displacement	3760L
Performance:	
Max. lifting capacity	3500kg
Max. lifting capacity at max. reach	2800kg
Capacity at max. boom extension	1100kg
Max. lifting height	7000mm
Max. horizontal boom extension	3300mm
Gradeability	30%
Machine weight	8500kg
Max. speed	40km/h
Differential-Axes	
Driving model	4WS, Crab steering, 2WS
Front axle	Rigid
Rear axle	Oscillating
Moving brake	Servise air brake(disc) on the 4 wheels with double hydraulic system
Parking brake	Negative parking brake
Tires	405/70-20
Dimintions	
Lenght (without fork) D	5300mm
Height F	2300mm
Width H	2150mm
Shaft distance B1	2950mm
Tire distance G	1760mm
Cabin width E	910mm
Ground clearance A	370mm
Front tires to Rear chassis C	4050mm
Standard fork length	
Option	
Overloading warning&Limitation	
Titable chassis(+6)	
Sideshift	
Fork positioner	
Raisable cabin	
Big bucket for bulk cargo	
Normal bucket for construction	
Working platform(Fordable working platform,swing working platform etc...)	
attachments(Hook,grapple,auger Mixing bucket,tilted fork,4in1 bucket,winch,baler,manipulator	

4轮转向 4 wheel steering diagram

